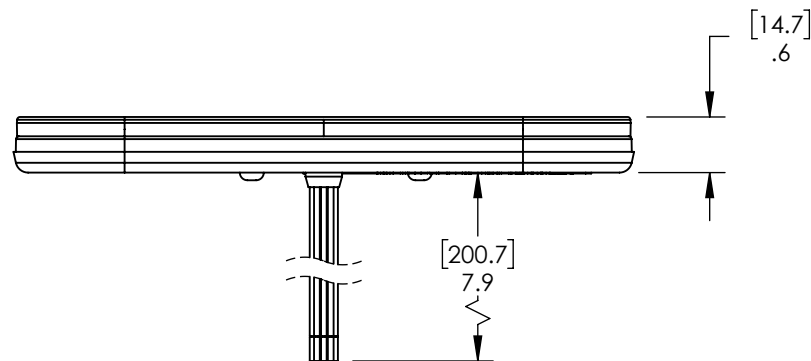
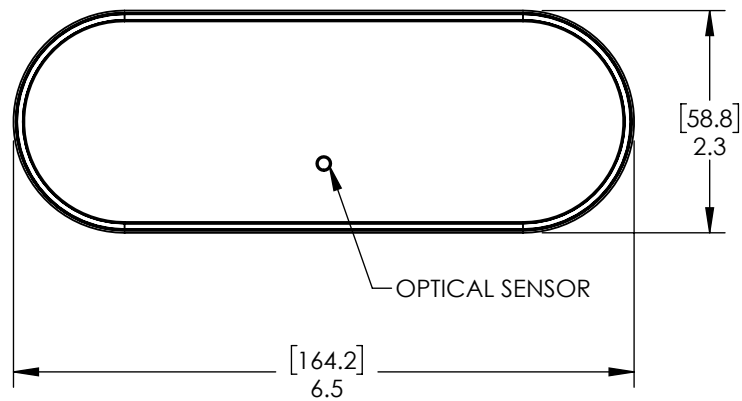


REV.	ECR	DESCRIPTION	DATE
-	17439	INITIAL DRAWING REQUEST	08/18/2020
A	17526	ADD DLXTUMC-*-RBA	9/29/2020



SPECIFICATIONS:

OPERATING RANGE: 9-32VDC
 NOMINAL VOLTAGE: 12/24 VDC
 TYPICAL CURRENT DRAW: 12.8VDC=0.3A AVERAGE 0.5A PEAK
 OPERATING TEMPERATURE RANGE: -40F (-40C) TO 131F (55C)

CONNECTIONS:

22 GAGE BLACK WIRE 8.0"(203mm) LONG - GROUND
 22 GAGE GREEN WIRE 8.0"(203mm) LONG + CRUISE LED POSITION 1
 22 GAGE WHITE WIRE 8.0"(203mm) LONG + PATTERN SELECT / SYNCH
 22 GAGE YELLOW/ BLACK WIRE 8.0"(203mm) + ENABLE LED POSITION 3
 22 GAGE YELLOW/ GREEN WIRE 8.0"(203mm) + ENABLE LED POSITION 2
 22 GAGE YELLOW/ RED WIRE 8.0"(203mm) + ENABLE LED POSITION 1

INSTALLATION:

*BEZEL MOUNT (BLACK -1 OR CHROME -1C)
 *GROMMET MOUNT -4

MATERIALS:

MODULE LENS: POLYCARBONATE
 MODULE HOUSING: POLYCARBONATE

CERTIFICATIONS:

TBD
 SEE CHART

PRODUCT LABEL:

WHITE POLYESTER STOCK 3" X .375"
 BLACK PRINT STAR LOGO

INDIVIDUAL PACKAGING: APPROXIMATELY [.34Kg](0.75 lb.)

COLOR HEADER CARD
 POLY BAG

INSTRUCTION SHEET:

1 PROVIDED ENGLISH

* MOUNTING METHOD

MODEL	DESCRIPTION	CERT MARKING
DLXTUMC-*-ABW	AMBER, BLUE, WHITE; SIX WIRE; S-LINK+; 36 LED'S.	TBD
DLXTUMC-*-AGW	AMBER, GREEN, WHITE; SIX WIRE; S-LINK+; 36 LED'S.	N/A
DLXTUMC-*-RAW	RED, AMBER, WHITE; SIX WIRE; S-LINK+; 36 LED'S.	TBD
DLXTUMC-*-RBW	RED, BLUE, WHITE; SIX WIRE; S-LINK+; 36 LED'S.	TBD
DLXTUMC-*-RBA	RED, BLUE, AMBER; SIX WIRE; S-LINK+; 36 LED'S.	TBD

UNLESS OTHERWISE SPECIFIED	DRAWN BY:	MD	STAR HEADLIGHT & LANTERN CO., INC.	
DIMENSIONS ARE IN INCHES	DRAWING APPROVED BY ECR		455 Rochester St. Avon NY 14414 Ph:(585) 226-9500 Fax: (585) 226-2029	
TOLERANCES: ANGULAR: ± 2 DEG.	THE INFORMATION CONTAINED IN THIS DRAWING IS THE SOLE PROPERTY OF STAR HEADLIGHT & LANTERN CO., INC.. ANY REPRODUCTION IN PART OR AS A WHOLE WITHOUT THE WRITTEN PERMISSION OF STAR HEADLIGHT & LANTERN CO., INC. IS STRICTLY PROHIBITED.		MODEL: DLXTUMC-*-***	
.X ± .100 .XX ± .020 .XXX ± .005 .XXXX ± .001	RoHS COMPLIANT: YES		TITLE: MODEL DRAWING	
MATERIAL: N/A	FINISH: N/A		DWG. NO. DLXTUMC	REV A
			SCALE: 1:2	DO NOT SCALE FROM DRAWING
			SHEET 1 OF 1	